

- Flammable, Oxygen or Toxic Gases
- Compact size
- Single stage alarm
- Alarm relays
- Alarm Sounder / LED
- Digital display
- Wall or panel mount
- 4~20mA analogue output



Application

A fixed gas sensor that meets the requirements for economic and reliable monitoring of gas levels in a wide range of environments and applications.

Initially designed for the monitoring of gases within cabins, enclosures and cabinets the addition of an optional mains supply input expanded its use into conventional areas of gas detection covering boiler plant rooms, gas meter houses, battery charger rooms and many other commercial and light industrial applications.

Technical Data

Power Supply

- 12 to 30 vDC - 24v nominal
230/115v AC optional

Sensor Type

- Catalytic, Electrochemical, Infra Red, Semiconductor,
Thermal conductivity

Measuring Range

- Combustible gas - LEL, % vol, ppm
- Toxic gas - ppm, % vol
- Oxygen - % vol

Output

- 4~20mA Analogue option 1~5 volts

Connections

- 3 wire - sink/source
- 2 wire - loop powered - 4~20mA output only (Oxygen/toxic gases only)

Relay contacts

- S.P.C.O. per relay - auto reset rated RL1 - 5A/250v AC, RL2 1A/24v DC

Alarm LED/Sounder

- Auto reset

Ingress protection

- IP65

Material

- Polycarbonate - light grey RAL 7035

Entries

- Not specified - top, bottom, sides

Dimensions

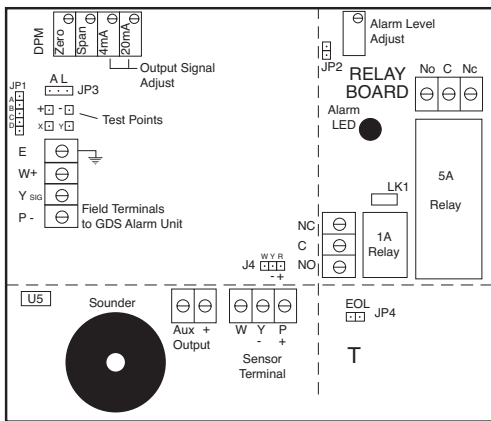
- 122 x 120 x 56 mm

Mounting

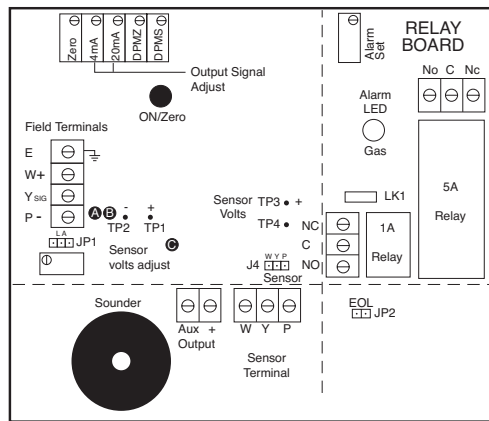
- 4 x 4mm internal fixing points @ 90mm horizontal x 100mm vertical

Data Sheets

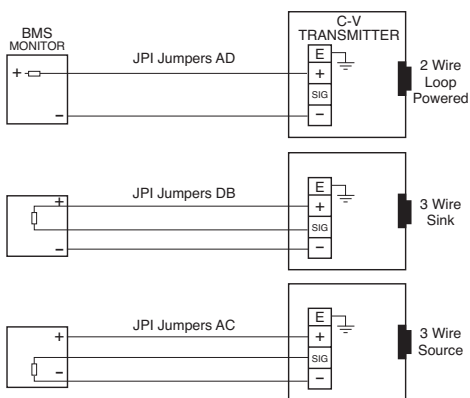
- C284, C323, C594



Toxic/Oxygen PCB



Flammable PCB



| | |
|-------------------|-----------|
| Oxygen | 0~25% |
| Carbon Monoxide | 0~250ppm |
| Hydrogen Sulphide | 0~50ppm |
| Sulphur Dioxide | 0~10ppm |
| Nitrogen Dioxide | 0~10ppm |
| Hydrogen | 0~2000ppm |
| Chlorine | 0~10ppm |
| Hydrogen Cyanide | 0~25ppm |
| Nitrogen Monoxide | 0~100ppm |
| Hydrogen Chloride | 0~10ppm |
| Ammonia | 0~100ppm |
| Ozone | 0~2ppm |
| Ethylene Oxide | 0~25ppm |
| Flammable | 0~100LEL |