

- Explosion proof
- Rugged and reliable
- Flexible output options
- Wide range of gas types / sensors
- 3 stage alarms
- Non intrusive adjustment magnets or potentiometers
- Back lit alpha numeric display
- Addressable or stand alone
- Hyper terminal communications / RS232 - live data and set up with 232 adapter
- Plug and play
- One man calibration
- Optional 2 alarm relays plus fault relay for local control functions
- Full data logging with combi alarm panel



The XDI Gas Sensor is capable of utilising a wide range of sensor cell types offering an unmatched number of configurations allowing for a simple stand alone 4~20mA transmitter or a CAN bus address system enabling networking of up to 64 process sensors with a local diagnostics port which allows interrogation using a PC, network sensors may also provide individual independent 4~20mA outputs.

A sensor network when connected to a GDS Combi alarm panel may be addressed and checked for alarm conditions and general sensor status providing a wide range of options for controls and indications.

Technical Data

Classification

- Housing Flameproof
- EExd IIC T6
- II2GD
- Cert No FTZU-06ATEX0296X
- F1 sensor - flameproof
- EExd IIC T6
- II2GD
- Cert No SIRA-03ATEX1176X

Power Supply

- 15 to 30vDC
- Cert No SIR 06.0016X

Outputs

- 3 wire (4~20mA) 4 wire (Addressable)
- Optional relays - Low alarm S.P.C.O 0.5A @30vDC
- High alarm S.P.C.O
- Fault alarm S.P.C.O
- Inhibit option during servicing

Display

- 2 line alpha numeric back lit
- Alarm - Red LED + display status
- Fault - Amber LED - (Flashing when in inhibit)

Indicators

Housing material

- Copper free aluminium alloy, optional stainless steel

Finish

- Chemical resistant epoxy paint
- Optional - Marine grade finish

Ingress Protection

- IP63 + weather shield IP65

Cable Entry

- 2 x M20 - 1.5 pitch - alternatives 25mm - 3/4 NPT

Weight

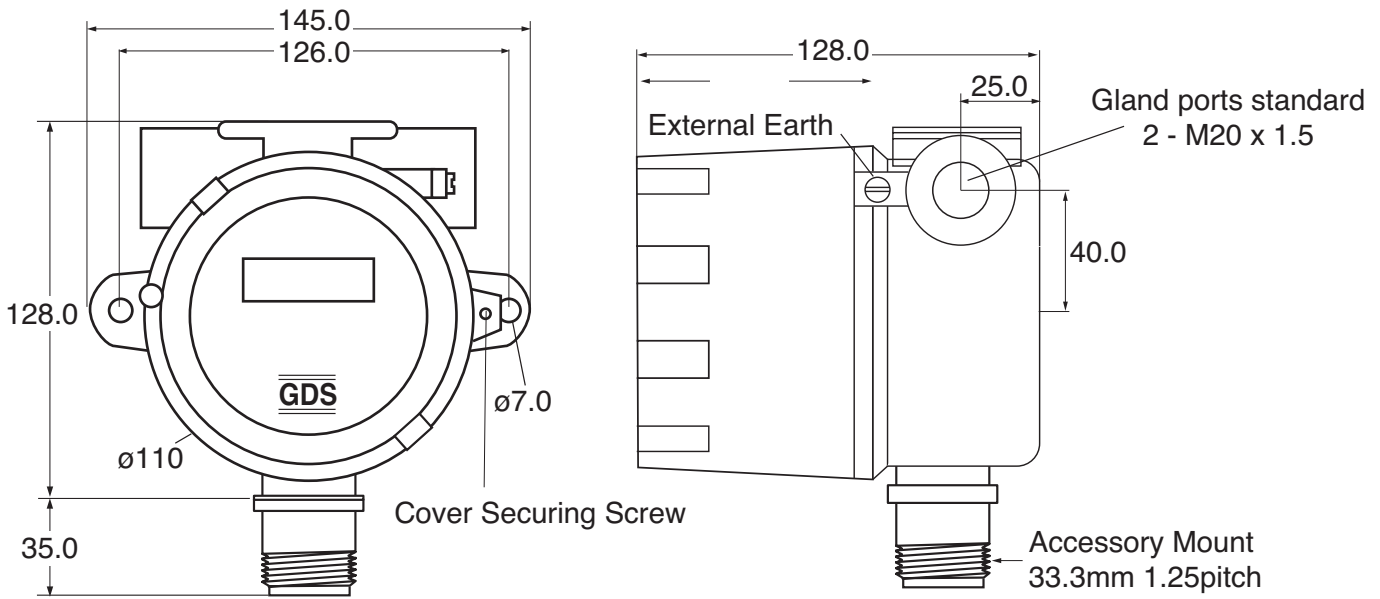
- 1.6kg

Temperature

- -10° C to +50° C

Humidity

- 0 to 99% RH non-condensing



System Configuration



Sensor Detail

Sensor Type Infra Red, Electrochemical, Catalytic, Semiconductor
Gas Type Flammable gases - LEL / %Vol
 Toxic gases - for full listing see www.gds-technologies.co.uk
 Range - see www.gds-technologies.co.uk

Accessories

- 003-010 Collector Cone & Universal Fitting
- 003-020 Universal Fitting, (Test Gas Applicator/ Spray Deflector)
- 003-031 Filter - Particulate
- 008-311 Flow Adaptor
- 003-090 Duct Mount Kit
- 003-035 Water Shield



This document is not contractual and the equipment specification may be modified at any time without prior notice.

GDS Technologies Ltd
 Fusion Point, Ash Lane
 Garforth, Leeds LS25 2GA
 Tel +44 (0)113 286 0166
 Fax +44 (0)113 287 8178
sales@gds-technologies.co.uk
www.gds-technologies.co.uk

