



FMC-16

16 Channel Fixed Systems Controller



FMC-16 in Rack/Panel mount

The FMC-16 fixed systems controller provides simultaneous display and alarm functions for up to 16 monitored variables. Easy to configure and user friendly, the FMC-16 can function as a critical alarm controller for toxic or combustible gases. The controllers are easy to install and feature a large graphical LCD display and non-intrusive user interface for hazardous areas.

KEY FEATURES

- Accepts up to 16 inputs from either 4-20mA or Modbus transmitters .
- Internal power supply generates 24VDC and provides 15 watts total system power; optional 150 watts supply available.
- Dual Modbus RS-485 serial ports for simultaneous master/slave operation.
- Three independent alarm levels per channel. "Relay Acknowledge" feature allows silencing external audible devices during existing alarm conditions.
- Standard SPDT common alarm relays for HORN, HIGH, WARN and FAULT.
- Magnetic keypad is standard for non-intrusive operation in potentially hazardous locations.
- Enclosures include wall mount NEMA 4X - Non-Metallic - 316 SS, NEMA 7 and Rack/Panel Mount.

APPLICATIONS

- Petrochemical industry
- Chemical storage
- Water and Wastewater
- LPG storage
- Paint booths
- Steel mills

- **Graphic LCD display provides clear presentation of sensor data and alert notification**
- **Discrete alarm LEDs provide clear alert notification for each channel**
- **Configurable in 8 unit blocks to provide economical solution for smaller systems**
- **Flexible data input and output options**
- **Authorization mode allows locking of critical configuration variables**



The FMC-16 is used to control a fixed gas detection system with up to 16 detection points

FMC-16

16 Channel Fixed Systems Controller



SPECIFICATIONS¹

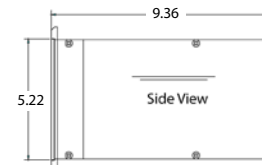
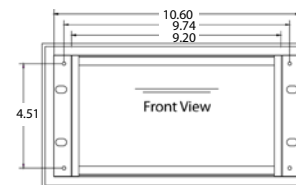
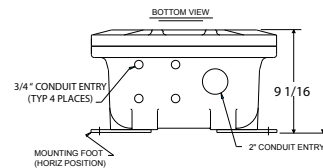
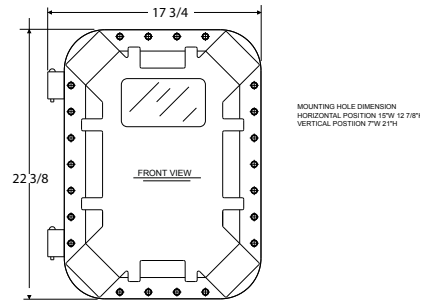
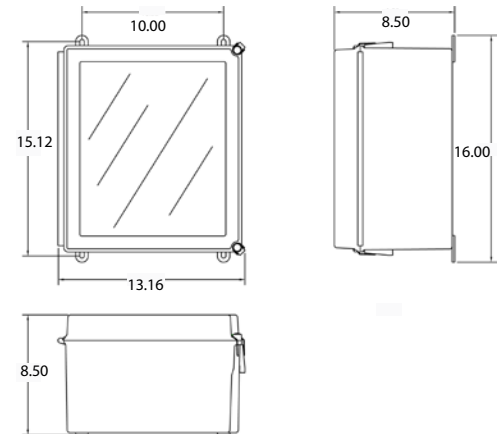
Standard Features

| | |
|---------------------------|---|
| Inputs | Serial Port Modbus Master and Slave RS-485 ports equipped with Tx / Rx LEDs |
| Relays | Common Alarm Relays, 5-Amp 30VDC or 250VAC resistive Form C (Alarm 1, Alarm 2, Fault, Horn) |
| Display | 128 x 240 pixel graphic LCD with backlight displays bar graphs and engineering units. 52 discrete LEDs indicate alarm status for three alarms per 16 channels and common relays |
| Ambient Temperature Range | -25° to +60° C (-13° to 140° F) |
| Power Supply | 10-30VDC 12 watts max |

Optional Features¹

| | |
|-----------------------|---|
| Analog Inputs | 8-channel 4-20mA analog input board |
| Analog Outputs | 8-channel 4-20mA analog output board |
| Discrete Alarm Relays | 8-channel discrete 5-Amp Form C relay board configurable for Alarm 1, 2, or Fault |
| Audible Alarm | 100dB piezo audible option ² |
| Visible Alarm | Division 2 xenon strobe light option (red, yellow, or blue) ² |
| Power Supplies | 85-240 VAC Universal Input 150 Watt 24 VDC Power Supply |
| Housing Options | NEMA 4X / IP66 non-metallic wall mount NEMA 7 explosion-proof wall mount NEMA 4X / IP66 stainless-steel wall mount Panel mount rack (includes bezel/rack hardware) |
| Approvals | CSA C22.2 No 1010.1 and 152 for combustibles and ISA S82.02; UL 1604 / C22.2 No 213 (NEMA 4X = Division 2 Groups A,B,C,D, NEMA 7 = Division 1 Groups B,C,D) |

¹ Specifications are subject to change ² These items only available with NEMA 4X Enclosure



CORPORATE HEADQUARTERS

RAE Systems by Honeywell

3775 North First Street
San Jose, CA 95134 USA
raesales@raesystems.com

DS-1092-02

WORLDWIDE SALES OFFICES

USA/Canada 1.877.723.2878
Europe +45.86.52.51.55
Middle East +00971.4.440.5949
China +86.10.5885.8788-3000
Asia Pacific +852.2669.0828

www.raesystems.com