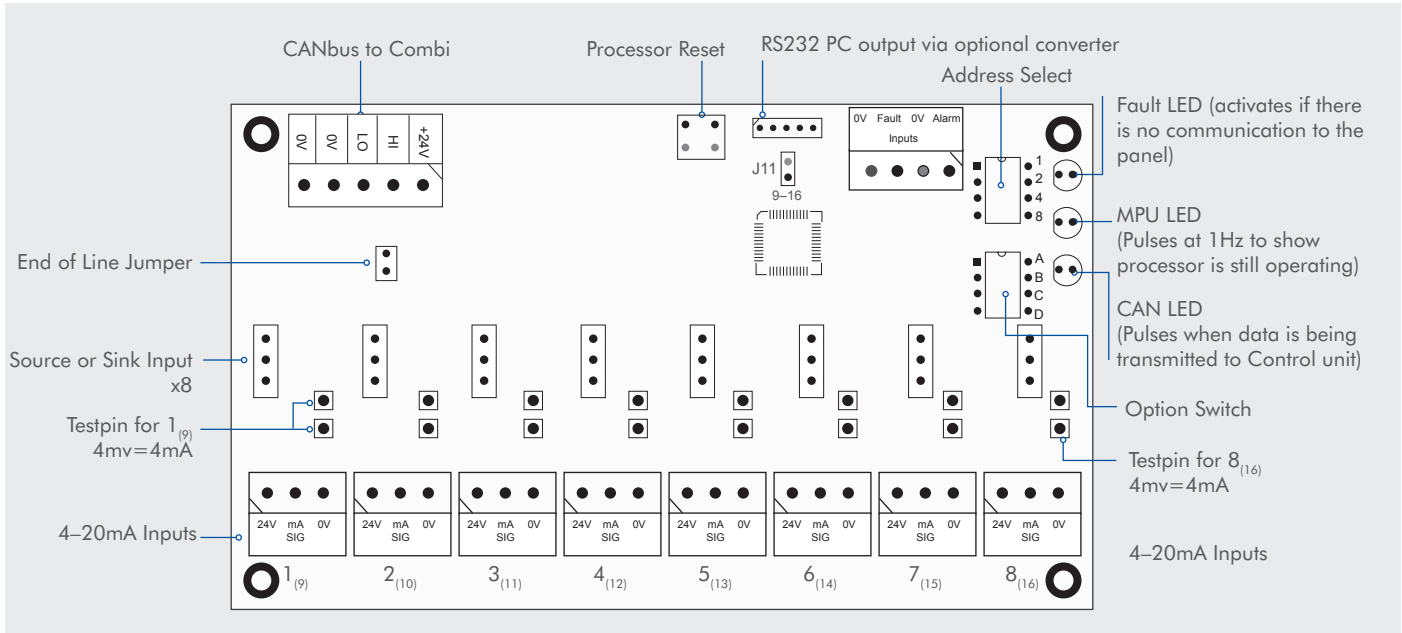


The eight channel 4~20mA signal input module allows up to 8 signals in either sink or source mode to be addressed on CANbus to the Combi as replacement direct sensor inputs, either channels 1–8 or 9–16 (add Jumper J11 for 9–16).



The Combi detects the address being used on this card when connected to the CANbus. This can be checked in engineers menu 27 setup network, the address should be set using the address select switch 220–230.

- = Address: 220
- = Address: 221
- = Address: 222
- = Address: 223
- = Address: 224
- = Address: 225
- = Address: 226
- = Address: 227
- = Address: 228
- = Address: 229
- = Address: 230

Jumper configurations:

- Sensor source current to PCB
- Sensor sink current away from PCB
- J11 – add jumper for Combi sensor inputs 9–16

Optional linearisation for known pre-defined curves using options switch A–D.

Hyperterminal connection via RS232 shows 8 channel 4~20mA levels as a percentage.

Full fault monitoring of all 8 sensors.

Enclosure: Polycarbonate – IP65

Dimensions: L200mm W120mm H80mm

Operating Temperature: –10°C to 50°C

Power Consumption: 4.5W – no sensors

