

- Monitor up to 8 gas types
- 1-20 sample points
- No sample line purge delay
- Wide range of sensor types
- 4 line alpha/numeric display
- Selectable sample line sequence
- Display of each sample line location
- Easily installed and maintained
- Full indication of all operations
- Event logging / Modbus / RS232 / RS485
- Line blockage and pump fail monitoring
- Variable sample time for optimum cycle time
- High integrity, comprehensive self check fault monitoring
- Centralised one man calibration offers minimum running costs
- Split system operation – optional
- Remote control panel – optional
- Line blockage, blow back – optional
- Hazardous area operation – optional
- Auto flood cut off – optional
- Enclosure internal gas monitoring with automatic system shutdown – optional
- Sample line multiplier – optional



The GDS 316 system is designed to monitor gas levels from a number of sample-points, targeted at situations where the positioning of conventional gas sensors may not be practical. This may be due to equipment security, cable routing, access for detector head installation/maintenance, harsh environment or a cost effective means of monitoring designated hazardous areas, typically - tunnels, marine applications, underground/high level voids, process control, landfill, multi storey car parks, brewing, horticulture, superstore multi re Fridgeration units.

### Operation

Gas samples are sequentially extracted for a timed period by a central control unit via fixed sample lines. A high rate sample is taken by the main pump during which a reduced rate sample is passed across the sensor device. The central unit provides gas level readouts with two alarm trip points per line, providing a range of signal outputs for annunciator and control functions.

### Sample points

1-20

### Sensors

1~8 4~20mA - CAN

### Measurements

Combustible gas – LEL / % vol  
Toxic gas – ppm % vol  
Oxygen – % vol depletion/enrichment  
Refrigerant – ppm

### Power Supply

230/115vAC 50/60Hz

### LED Indicators

System healthy  
Main power  
Standby power  
High gas alarm  
Low gas alarm  
System, flow, sensor fail  
Comms fail  
Skip/hold  
Sampling

## Display

- 4 line alpha/numeric indicates all functions and status in text.  
Sample line locations (user settable)

## User interface

- 8 panel mounted push buttons – main panel and remote panel:-  
Reset, Scroll, Hold, Dim, Enter, Down, Up, Select
- PC – event log / data log, data to and from system controls

## Relay Outputs

- Global Low S.P.C.O.
- Global High S.P.C.O.
- Global Fault S.P.C.O.
- Flow Fail S.P.C.O.
- Power Fail S.P.C.O.
- Cabinet Sensor S.P.C.O.
- 32 programmable relays - option

## Communication

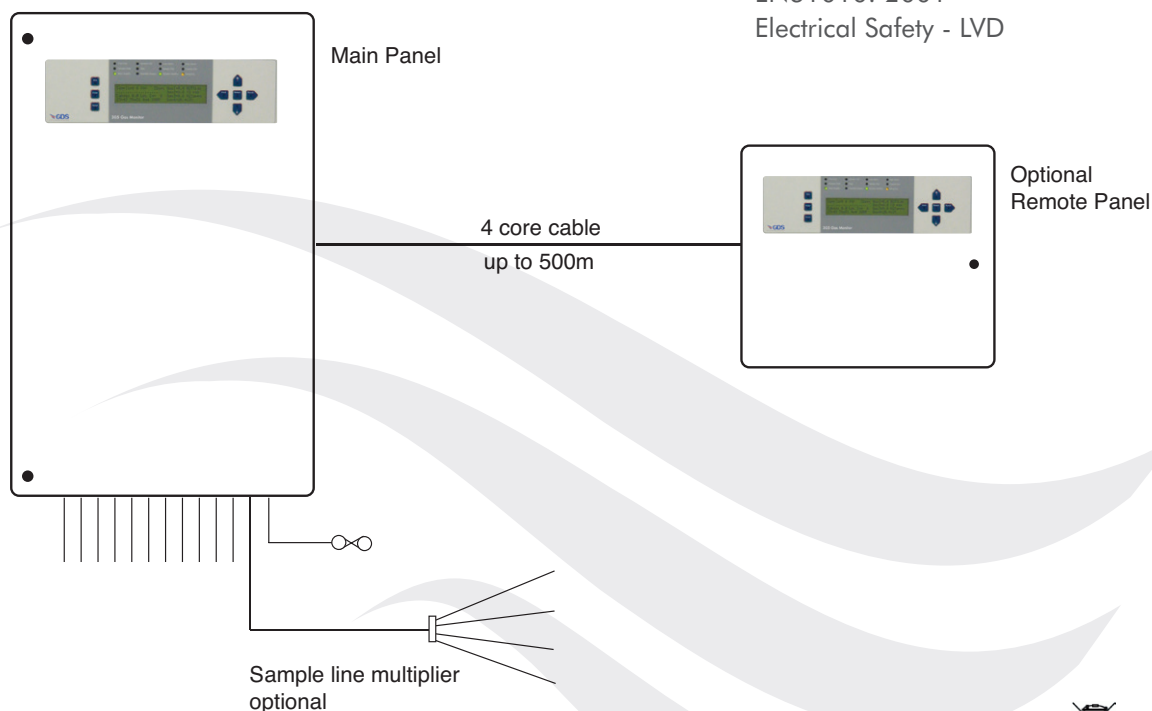
- RS232– Data Stream
- Modbus 2 x RS485
- CANbus – internal
- Optional 4~20mA analogue outputs

## General

- Audible alarm all alarm conditions
- LED/display dimming
- User/Eng password
- LCD backlight
- Event logging
- Sample line size 6mm OD 4mm ID
- Maximum length 200m
- Nylon, PTFE, Copper, Stainless Steel
- Sample vent x 2-8mm
- Tubing entry enclosure base
- Response time 15 to 45 seconds
- Colour - powder coat ash grey BSA01
- Size Hx640mm Wx450mm Dx200mm
- Weight 35kg
- IP 63
- Wall mount

## Standards

- EN60945: 2002  
Maritime general requirements
- EN61010: 2001  
Electrical Safety - LVD



This document is not contractual and the equipment specification may be modified at any time without prior notice.

